

STARTER 1,1Kw left-rotative 28V-LUN 2253

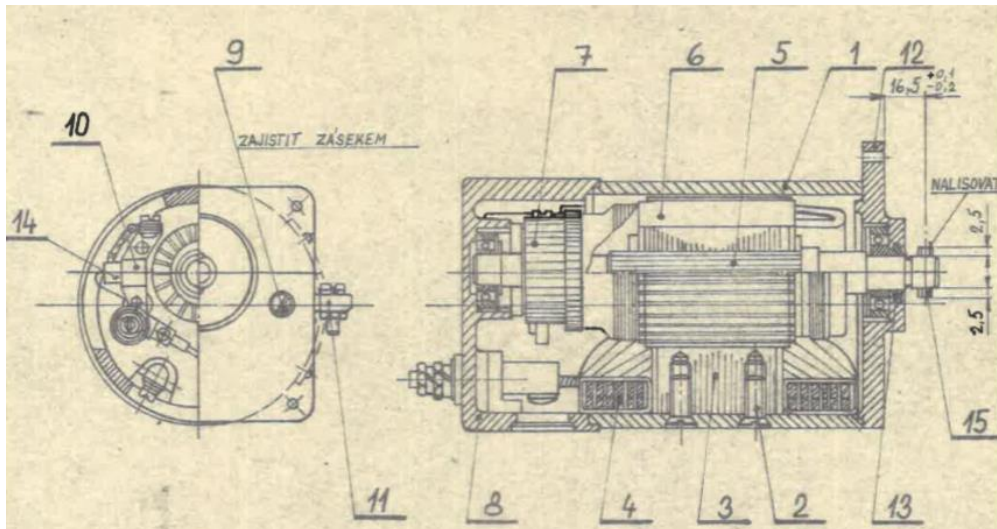
type 9192.270



NOMINAL VOLTAGE	28 V
NOMINAL OUTPUT AT 20V	1,1kW
RATING MOMENT	1,75 Nm
SPEED AT RATING MOMENT (20V)	6 000 min. ⁻¹
ROTATION (FROM DRIVE)	ANTICLOCKWISE
STARTING TORQUE AT 15V	4,9 Nm
SHORT-CIRCUIT CURRENTS	370 A
TEMPERATURE RANGE	-40° až +60°C
WEIGHT	3 kg

If you are interested in product please send our inquiry to our e-mail: spd@spd-km.cz

SPARE PARTS LUN 2253



Drw.No.	Item name
8001.390	STATOR ASSEMBLED
8004.560	COMMUTATOR COVER ASSEMBLED
8003.370	ROTOR
8480.650	CARBON
8480.660	CARBON
8312.370	LOADING COVER
0301.120	SCREW
1200.630	DRIVING PIN
4800.170	SPRING OF CARBON
5215.410	COVERING BAND
8474.470	CARBON CHAMBER
8474.480	CARBON CHAMBER
7401.380	INSULATING INSERT
7213.530	INSULATING INSERT
4334.120	INSULATING TUBING
8310.320	COMMUTATOR COVER
324137052	BALL BEARING E12-P6 (66012 nebo L 6012)
324137042	BALL BEARING E10-P6

If you are interested in product please send our inquiry to our e-mail: spd@spd-km.cz

SPD Kroměříž a.s.

Kaplanova 1852/1e
767 01 Kroměříž

IČO: 25571877

DIČ: CZ25571877

Company is registered in the Commercial Register kept by the Regional Court in Brno, file no.B 3047.